

## Universal Adjustable Single Solar Panel Mount Installation Instructions



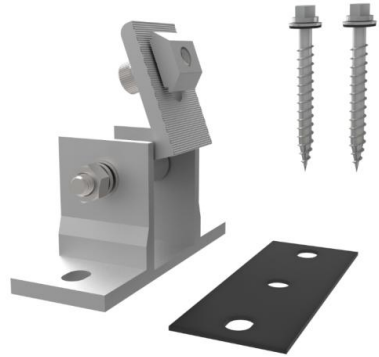
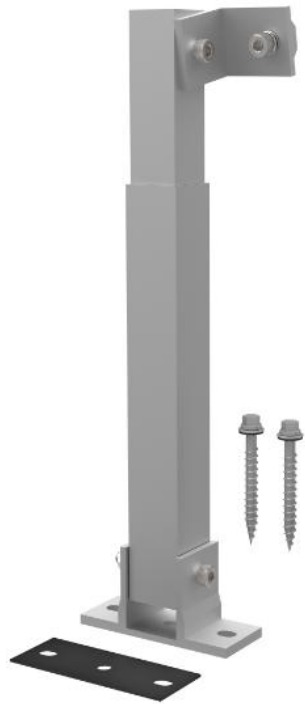
PVADJ

# Components List

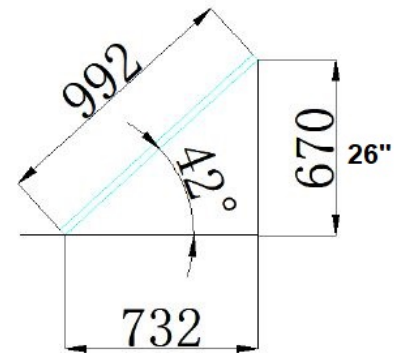
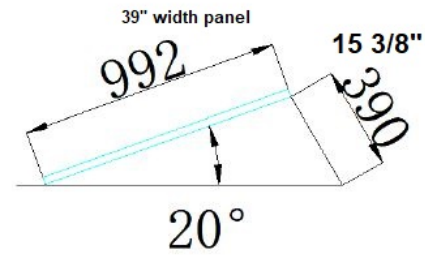
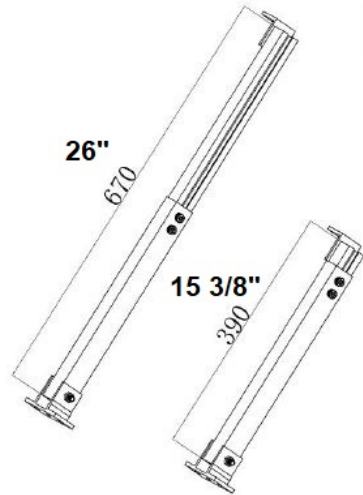
Rear Leg with Base  
2 pcs

Front Leg  
2 pcs

Screw  
8 pcs



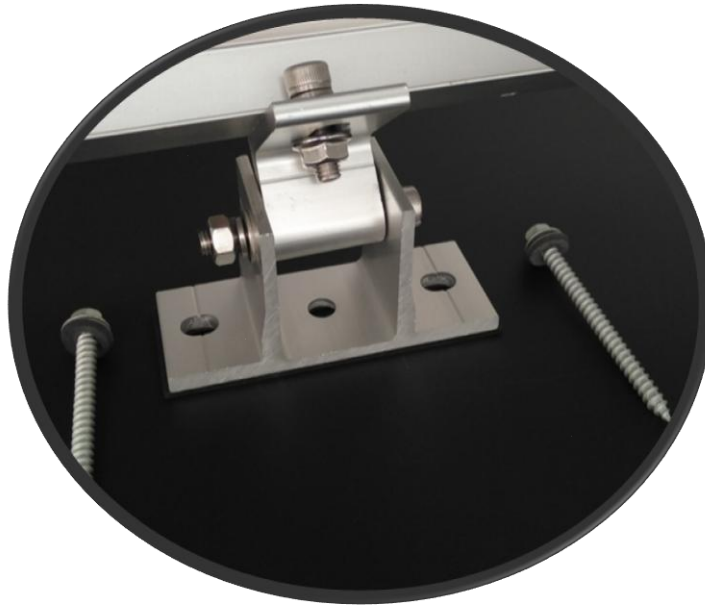
Example using  
39" width panel



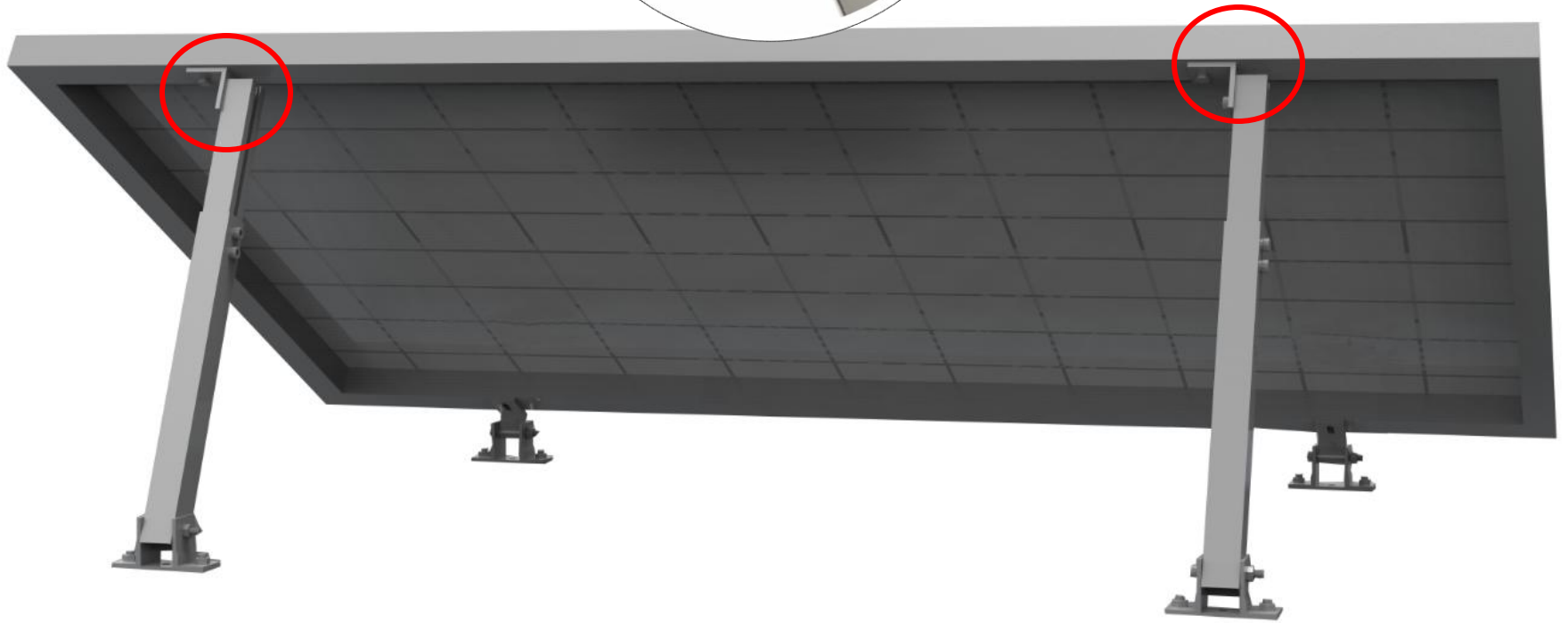
1. Attach the front bases to solar panel.



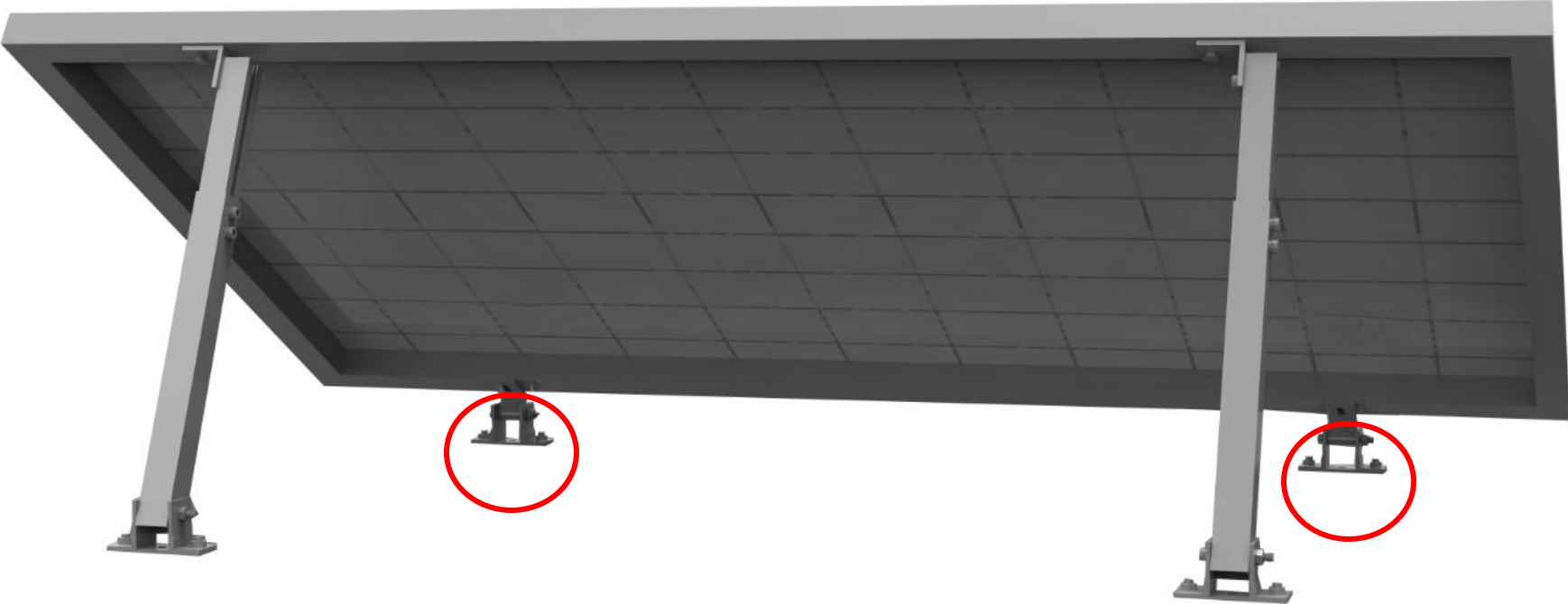
Attach using  
predrilled holes on  
panel



2. Connect the rear legs to solar panel.



3. Mount the front legs to a flat surface.



Use rubber pads  
and bolts included.



4. Adjust the length and tilt of rear legs to desired angle, tighten side bolts and mount to flat surface.



